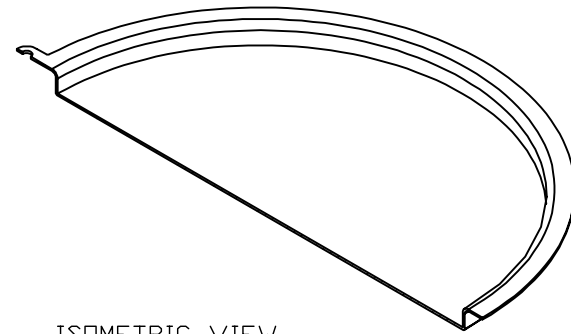
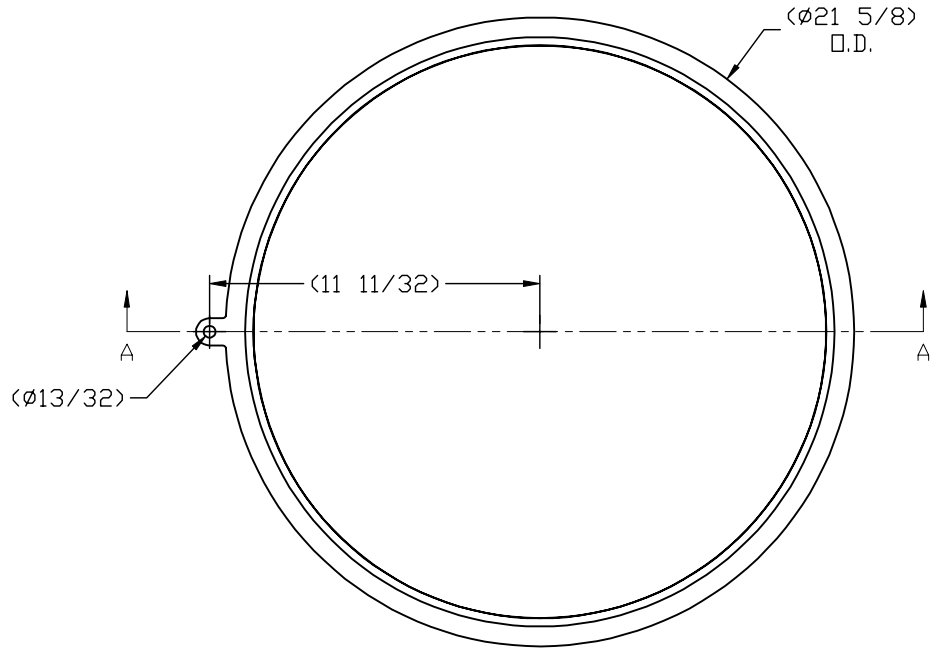
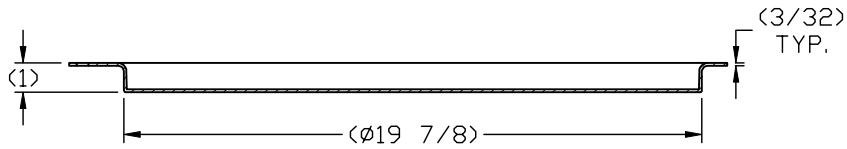


SALES DRAWING



ISOMETRIC VIEW



SECTION A-A

SALES DRAWING

UNLESS OTHERWISE SPECIFIED DIMENSIONAL TOLERANCES			
FRACTIONAL	±1/16	DRAWN BY: JDA	CHECK BY: [ ]
X.XX	±0.03	SCALE: 1:2	APPROVAL DATE: 12-12-89
X.XXX	±0.015	MATERIAL: LDPE	
ANGULAR	±1°	PART NAME: KLEEN SEAL FOR A 20" HATCH COVER RING	
THIS DRAWING IS THE PROPERTY OF SALCO PRODUCTS INC. IT CONTAINS PROPRIETARY INFORMATION AND MUST NOT BE COPIED, REPRODUCED, OR USED IN WHOLE OR IN PART WITHOUT THE WRITTEN PERMISSION OF SALCO PRODUCTS INC.		PROJECT #:	PROTOTYPE AND DATE:
THIRD ANGLE PROJECTION		DRAWING #:	APPROVED FOR PRODUCTION:
		D121289	PART # HKS20

A	CHL	9-22-00	ADDED TAB & UPDATED TO NEW STANDARDS
REV. BY	DATE	DESCRIPTION	

